

GTV Monitor Bracket

Features

- Used to mount a small display on the wall
- Available as fixed (**GTV-400SK**) or adjustable (**GTV-410SK**) options
- Adjustable type (**GTV-410SK**) can adjust the angle of the display about 20° from the vertical state to the front, and can hold the display at any angle within the adjustment range
- Mounting bracket hole pitch (100 x 100 mm) conforms to VESA standard

Notes

- Do not apply load on small display when using
- Durability varies depending on operating environment and frequency

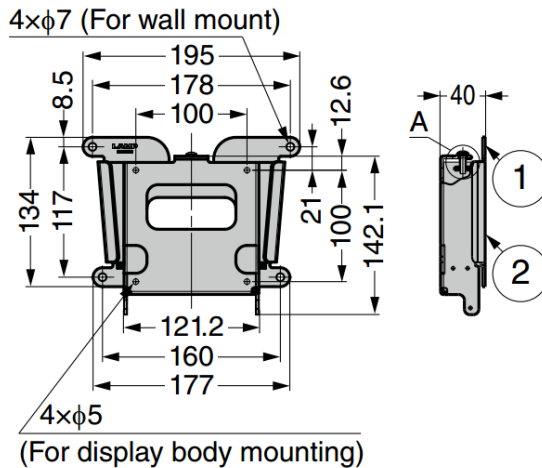


Fixed Type **GTV-400SK**

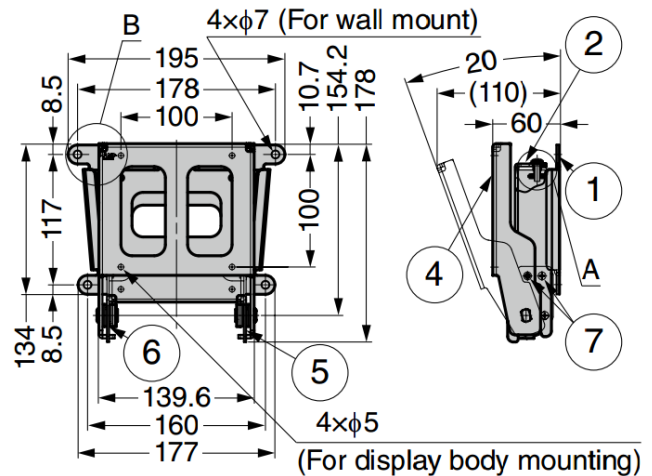


Adjustable Type **GTV-410SK**

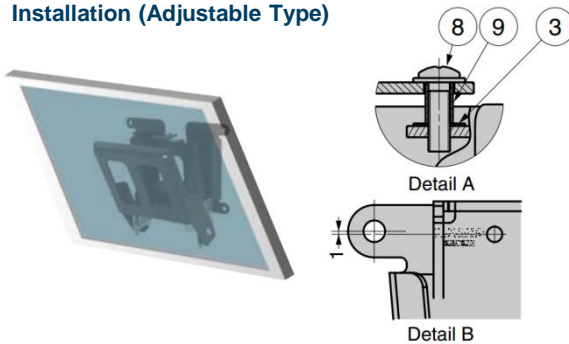
GTV-400SK



GTV-410SK



Installation (Adjustable Type)



No.	Part Name	Material	Finish / Colour
①	Bracket	Steel (SPCC)	Black Paint
②	Fixed Plate	Steel (SPCC)	Black Paint
③	Fall-preventing Washer	PA	Natural
④	Adjustable Plate	Steel (SPCC)	Black Paint
⑤	Hinge R	Steel	Clear Zinc Chromate
⑥	Hinge L	(SPCC), etc	(Trivalent), etc
⑦	Countersunk head machine screw	Steel	Clear Zinc Chromate
⑧	Washer Faced Pan Head Screw	(SWCH)	Chromate
⑨	Wrapped Bush	Steel (SPCC)	(Trivalent)

Part No.	Mounting	Type	Max. Monitor Weight
GTV-400SK	Wall Mount	Fixed	8 kg / piece
GTV-410SK		Adjustable	